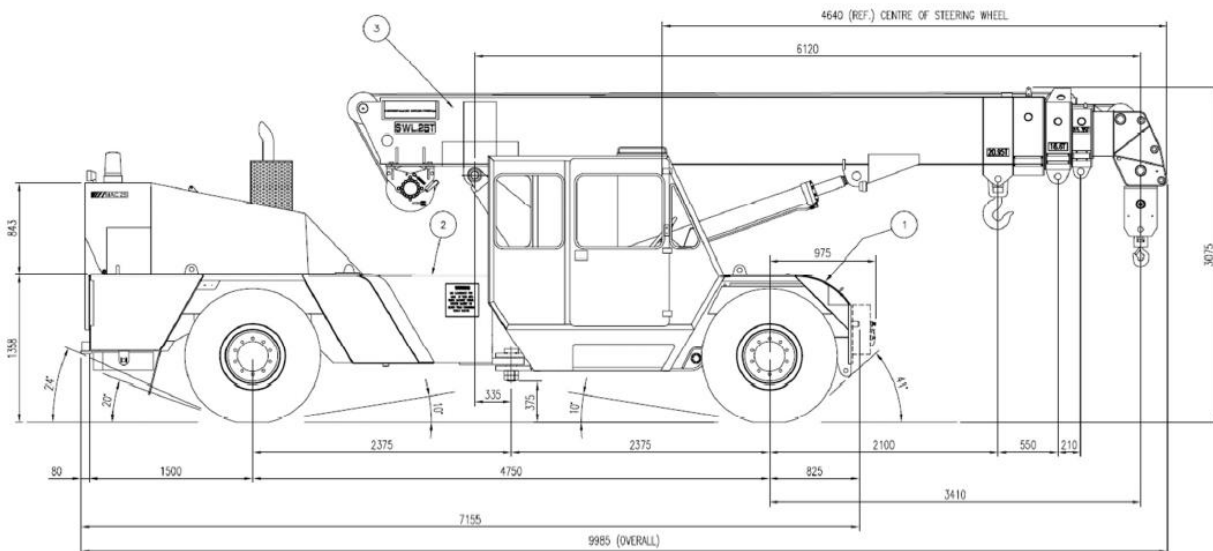


MAC-25 FRANNA



Dimensions - Gross Weight 23.9T

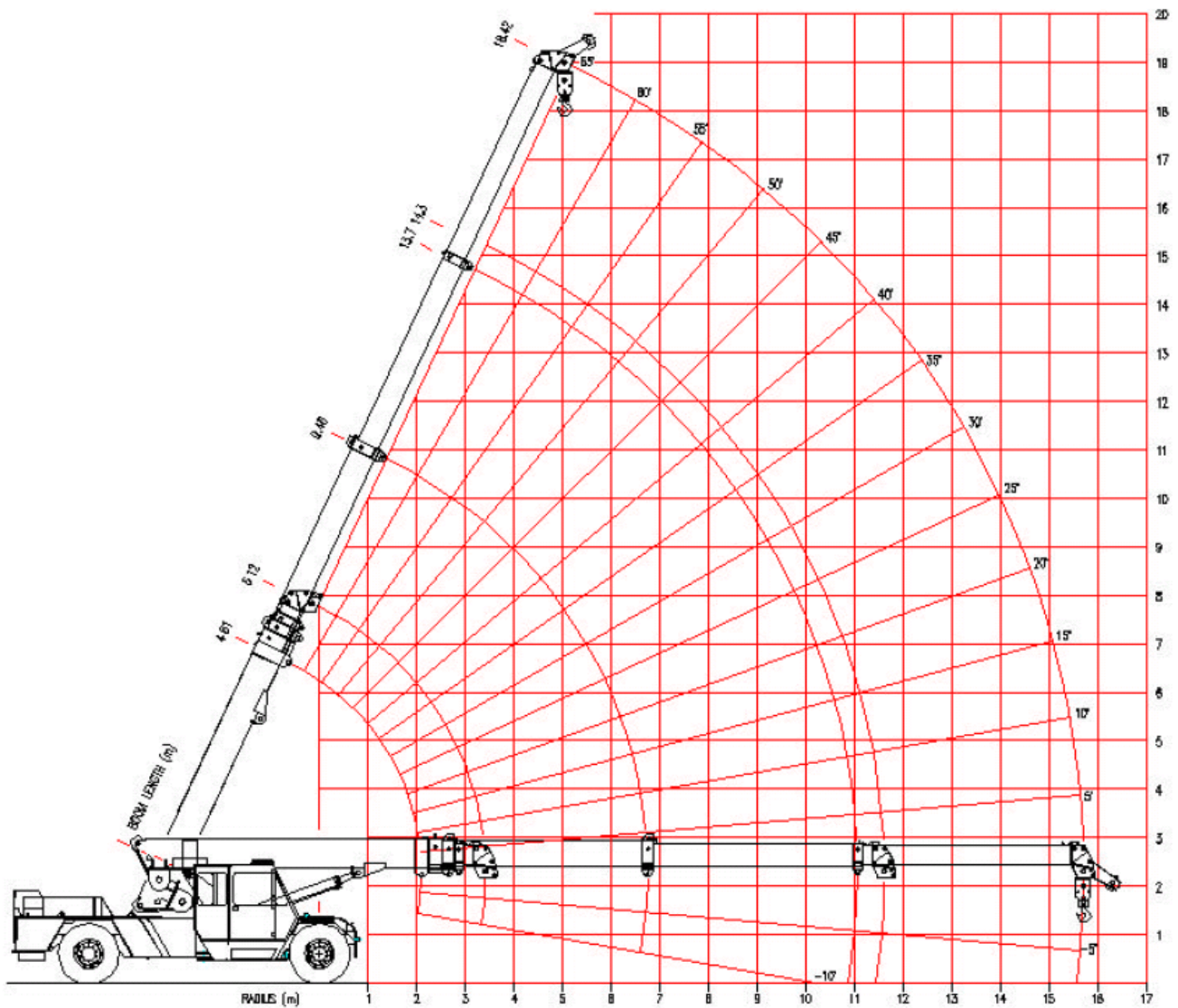


MASS LIMITS PERMITTED

Gross Combination Mass shall not exceed 24.00 tonnes

Unit Position	Axle Position	Spacing To Forward Axle	Overall Tyre Contact Width	Tyres per Axle	Axle Group Position	Maximum Axle Group Mass
1	1	0.00 m	2.69 m	4	1	12.00 t
	2	4.78 m	2.69 m	4	2	12.00 t

Range Diagram





MAC-25 FALL BLOCK LOAD CHART - 40 DEG. ART.

LMI DUTY **101**

COUNTERWEIGHT ON FRONT OF CRANE - SPRING LOCKOUTS ENGAGED

Yellow S.W.L IN KILOGRAMS FOR SLEW ANGLES OF GREATER THAN 10 DEGREES UP TO 40 DEGREES EITHER SIDE OF STRAIGHT AHEAD (INDICATED BY RED LED ON DASH).

White BOOM ANGLE - UNDEFLECTED (REF.)

NOTE: VALUES IN BRACKETS () ARE ACTUAL RADIUS AT ZERO DEG. BOOM ANGLE.

S.W.L. ARE BASED ON 66.7% STABILITY & STRENGTH
 - S.W.L. ABOVE BOLD RED LINE ARE STRUCTURAL
 S.W.L. ARE BASED ON FIRM LEVEL GROUND (1% SLOPE (0.6 DEG) AS PER AS1418.5)
 WITH TYRES INFLATED AS PER NOTES
 LIFT & CARRY - THE S.W.L. SHALL BE CARRIED WITH THE MINIMUM BOOM LENGTH & AS CLOSE TO THE GROUND AS POSSIBLE AT SPEEDS NOT IN EXCESS OF 0.4 M/SEC (1.44 KMHR)

Radius In Metres	BOOM PIVOT TO HEAD SHEAVES - THIRD BOOM RETRACTED (metres)														THIRD BOOM EXTENDING (metres)													
	6.12	6.50	7.00	7.50	8.00	8.50	9.00	9.50	10.00	10.50	11.00	11.50	12.00	12.50	13.00	13.50	14.32	14.50	15.00	15.50	16.00	16.50	17.00	17.50	18.00	18.42		
1.4	23750	22450	20950	19200	17750	16600	15600	14750																				
	48	51	54	57	59	61	63	65																				
2.0	17850	17850	17800	16850	15950	15150	14500	13750	13000	12350	11750																	
	40	44	48	51	54	57	59	61	62	64	65																	
2.5	14000	14000	13950	13900	13900	13400	12800	12300	11800	11400	10950	10500	10050															
	32	37	42	46	50	52	55	57	59	61	62	63	65															
3.0	11450	11400	11400	11350	11350	11300	11300	10950	10550	10150	9800	9500	9200	8950	8600	8300												
	21	29	35	41	45	48	51	53	55	57	59	61	62	63	64	65												
3.5	9800	9550	9550	9550	9500	9500	9450	9450	9450	9150	8850	8550	8300	8050	7850	7650	7300	7250										
	(3.4)	17	28	34	39	43	47	49	52	54	56	58	59	61	62	63	65	65										
4.0		8650	8150	8150	8150	8150	8100	8100	8050	8050	8000	7750	7550	7350	7150	6950	6650	6650	6500	6400								
		(3.8)	17	27	33	38	42	45	48	51	53	55	56	58	59	61	62	63	64	65								
5.0			7450	6500	6200	6200	6200	6200	6150	6150	6150	6100	6100	6000	5800	5600	5550	5500	5400	5350	5300	5200	5150	5100				
			(4.3)	(4.8)	16	25	31	36	40	43	46	48	50	52	54	56	58	58	59	61	62	63	63	64	65			
6.0					5750	5100	4900	4900	4900	4900	4850	4850	4850	4850	4850	4850	4750	4750	4700	4650	4600	4550	4500	4450	4400	4350		
					(5.3)	(5.8)	15	24	30	34	38	41	44	46	48	50	53	53	55	56	57	58	60	61	61	62		
7.0							4600	4100	3950	3950	3950	3950	3950	3950	3950	3900	3950	3950	4000	4000	3950	3900	3850	3850	3850	3800		
							(6.3)	(6.8)	14	23	28	33	36	39	42	44	48	48	50	52	53	54	56	57	58	59		
8.0									3700	3400	3250	3250	3250	3250	3250	3250	3250	3250	3300	3350	3350	3400	3450	3400	3350	3350		
									(7.3)	(7.8)	14	22	27	31	35	38	42	43	45	47	48	50	51	53	54	55		
9.0										3100	2800	2700	2700	2700	2700	2700	2700	2700	2800	2850	2850	2900	2950	2950	2950	2950		
										(8.3)	(8.8)	13	21	26	30	35	36	39	41	43	45	47	48	50	51	51		
10												2550	2350	2300	2300	2300	2300	2300	2350	2400	2400	2450	2450	2500	2550	2550		
												(9.3)	(9.8)	12	20	28	29	32	35	38	40	42	44	45	47	47		
11													2150	2000	1950	1950	2000	2050	2100	2100	2150	2150	2200	2200	2200	2200		
													(10.3)	(10.8)	17	19	24	28	31	34	37	39	41	42	44	44		
12																1750	1700	1700	1750	1750	1800	1850	1850	1900	1900	1900		
																(11.6)	(11.8)	12	19	23	27	30	33	36	37	37		
13																		1600	1500	1500	1550	1600	1600	1650	1650	1650		
																		(12.3)	(12.8)	11	18	23	27	30	32	32		
14																				1450	1350	1350	1400	1400	1450	1450		
																				(13.3)	(13.8)	11	18	22	25	25		
15																							1300	1250	1250	1250		
																							(14.3)	(14.8)	11	16	16	
15.71																									1150	1100	1100	
																									(15.3)	(15.7)	11	

NOTE : WEIGHT OF HOOKS, BLOCKS & OTHER LOAD HANDLING DEVICES SHALL BE ADDED TO THE WEIGHT OF THE LOAD

