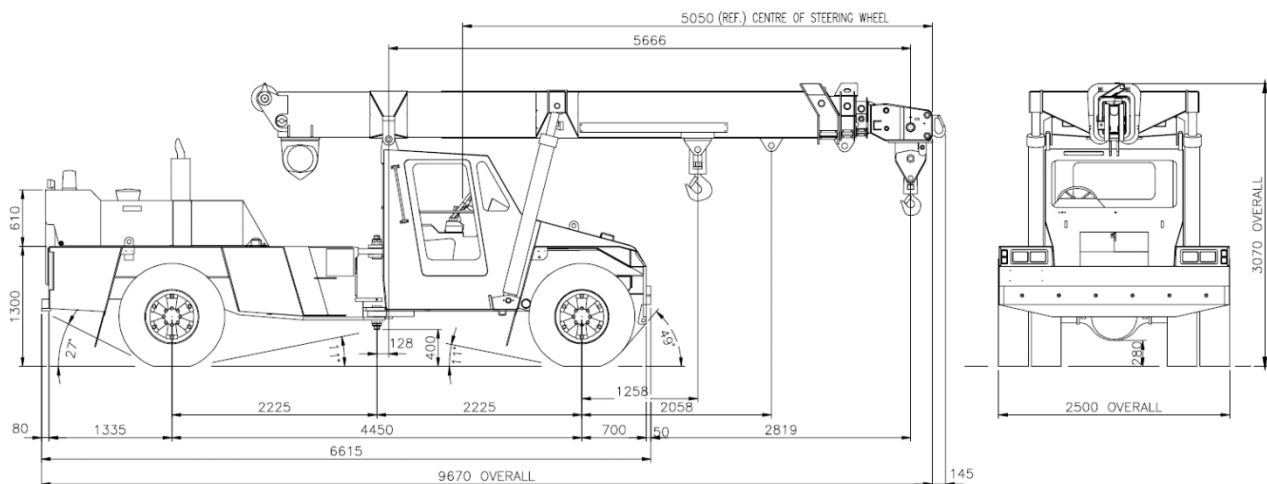


## AT-20 FRANNA



### Dimensions - Gross Weight 19.5T

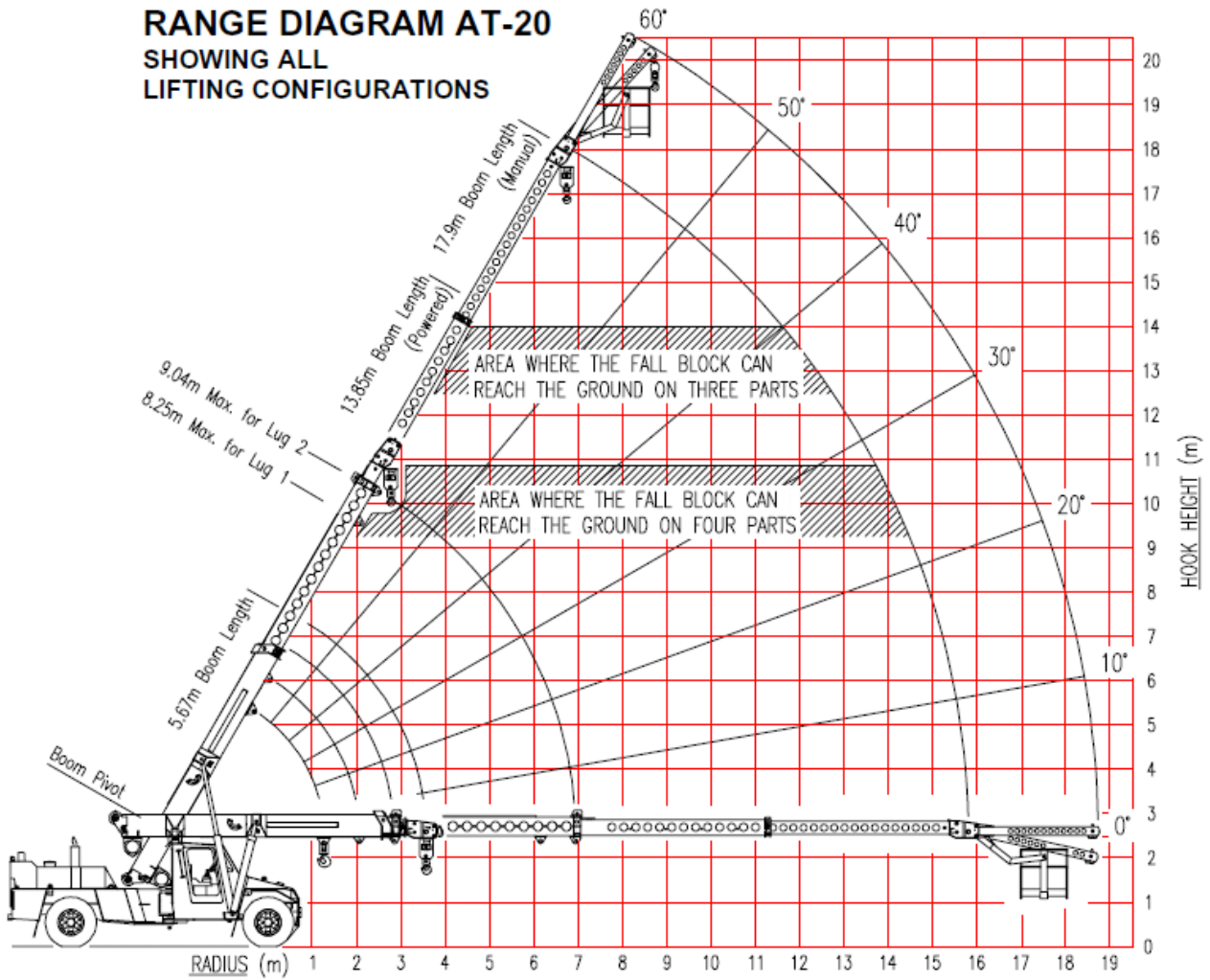


### **MASS LIMITS PERMITTED**

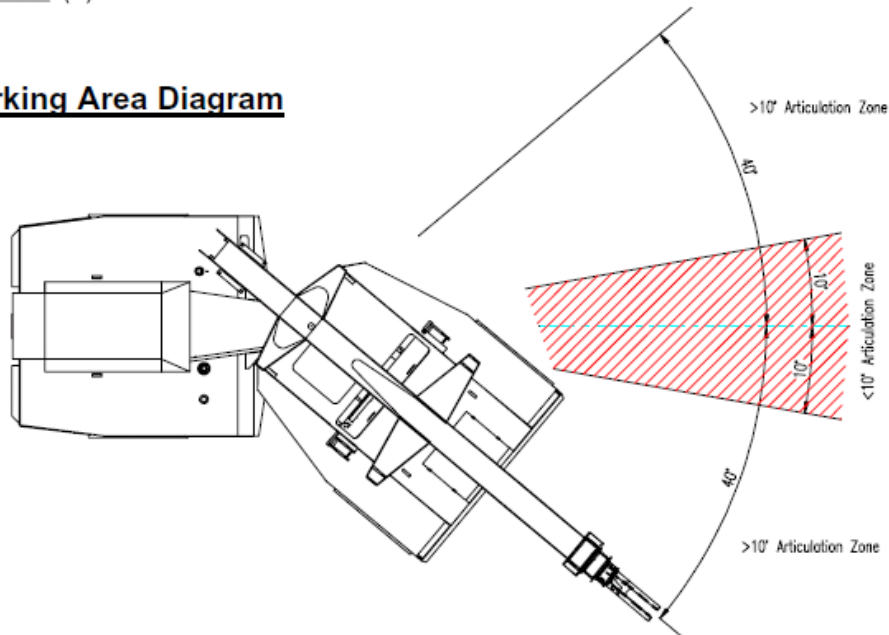
Gross Combination Mass shall not exceed 20.40 tonnes

Unit Position	Axle Position	Spacing To Forward Axle	Overall Tyre Contact Width	Tyres per Axle	Axle Group Position	Maximum Axle Group Mass
1	1	0.00 m	2.41 m	4	1	8.60 t
	2	4.47 m	2.41 m	4	2	11.80 t

## RANGE DIAGRAM AT-20 SHOWING ALL LIFTING CONFIGURATIONS



## Working Area Diagram



**20T Franna - Hydraulic All Terrain Pick & Carry Crane - Lifting on Winch**

RADIUS	BOOM LENGTH (m)																	
	5.67	6.00	6.50	7.00	7.50	8.00	8.50	9.00	9.50	10.00	10.50	11.00	11.50	12.00	12.50	13.00	13.50	13.85
1.6	16800	16250	15450	14900														
	12600	12600	12600	12600														
	48	51	54	57														
2.0	16800	16800	16500	15700	15100	14700	14350											
	12600	12600	12600	12600	12600	12600	12600											
	42	46	50	53	56	58	60											
2.5	13900	13900	13900	13850	13850	13850	13850	13200	13000									
	12150	12150	12100	12100	12100	12100	12100	12050	12050									
	34	39	44	48	51	54	56	58	60									
3.0	11450	11450	11450	11400	11400	11400	11400	11400	11400	11150	10250							
	9950	9950	9950	9950	9950	9950	9900	9900	9900	9900	9900							
	25	31	37	42	46	49	52	55	57	59	60							
3.5	9650	9650	9650	9650	9650	9650	9650	9650	9650	9650	9500	8150	7500					
	8400	8400	8400	8400	8400	8400	8400	8400	8350	8350	8350	8150	7500					
	8	20	29	36	41	45	48	51	53	55	57	59	60					
4.0	9450	8550	8350	8350	8350	8350	8350	8350	8300	8300	8300	7600	7000	6700	6450			
	8200	7450	7250	7250	7250	7250	7250	7250	7200	7200	7200	7200	7000	6700	6450			
	(3.57)	(3.90)	19	28	35	39	43	47	49	52	54	56	57	59	60			
4.5			7500	7300	7300	7300	7300	7300	7300	7300	7300	7150	6550	6250	6050	5800	5650	
			6500	6350	6350	6350	6350	6350	6300	6300	6300	6300	6300	6250	6050	5800	5650	
			(4.40)	19	27	34	38	42	45	48	50	52	54	56	58	59	60	
5.0				6650	6500	6500	6500	6500	6500	6500	6500	6500	6150	5900	5650	5450	5300	5150
				5750	5600	5600	5600	5600	5600	5600	5600	5600	5600	5600	5600	5450	5300	5150
				(4.90)	18	27	33	37	41	44	47	49	51	53	55	56	58	59
6.0					5950	5350	5250	5250	5250	5250	5250	5250	5250	5250	5050	4850	4700	4600
					5100	4600	4550	4550	4550	4500	4500	4500	4500	4500	4500	4500	4500	4500
					(5.40)	(5.90)	17	25	31	35	39	42	45	47	49	51	53	54
7.0							4850	4450	4400	4400	4400	4400	4400	4350	4350	4350	4200	3950
							4200	3800	3750	3750	3750	3750	3750	3750	3750	3750	3750	3750
							(6.40)	(6.90)	16	24	29	34	37	40	43	45	47	48
8.0									4100	3750	3700	3700	3700	3700	3700	3700	3700	3600
									3500	3200	3150	3150	3150	3150	3150	3150	3150	3150
									(7.40)	(7.90)	15	23	28	32	36	38	41	43
9.0											3500	3250	3200	3200	3200	3200	3200	3200
											2950	2750	2700	2700	2700	2700	2700	2700
											(8.40)	(8.90)	15	22	27	31	34	36
10.0													3000	2800	2800	2800	2800	2800
													2550	2400	2350	2350	2350	2350
													(9.40)	(9.90)	14	21	26	29
11.0															2650	2500	2450	2450
															2200	2100	2050	2050
															(10.40)	(10.90)	13	18
11.75																	2350	2250
																	1950	1850

SWL (KG) LESS THAN 10 DEG ARTICULATION  
 SWL (KG) GREATER THAN 10 DEG ARTICULATION  
 BOOM ANGLE OR (RADIUS AT 0 DEG BOOM ANGLE)

Weight of slings & hook block to be added to load  
 Read and understand warning notes before operating crane  
 Loads above bold red line are structural

LMI Duty  
 Lifting on WINCH  
 01