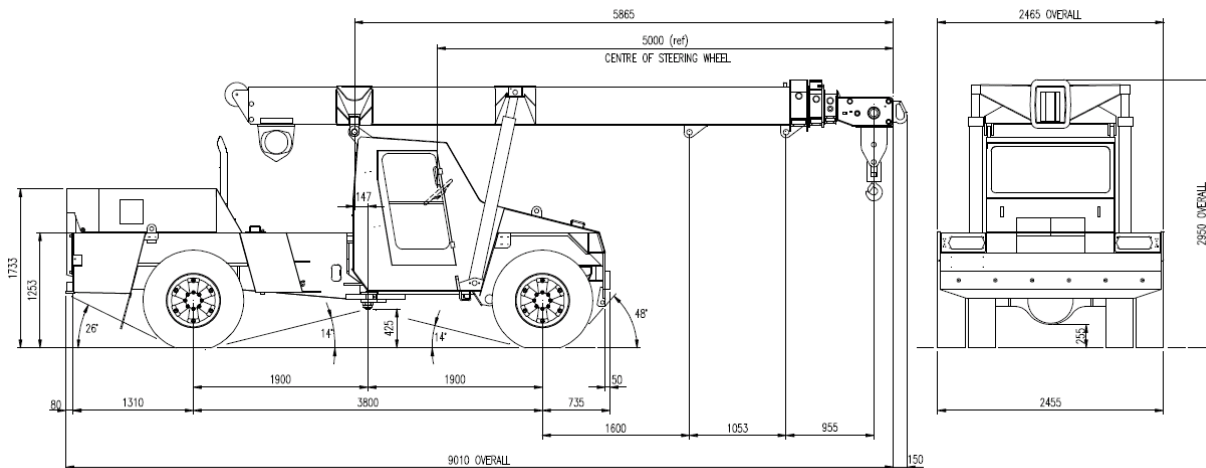


## AT-15 FRANNA



### Dimensions - Gross Weight 17T

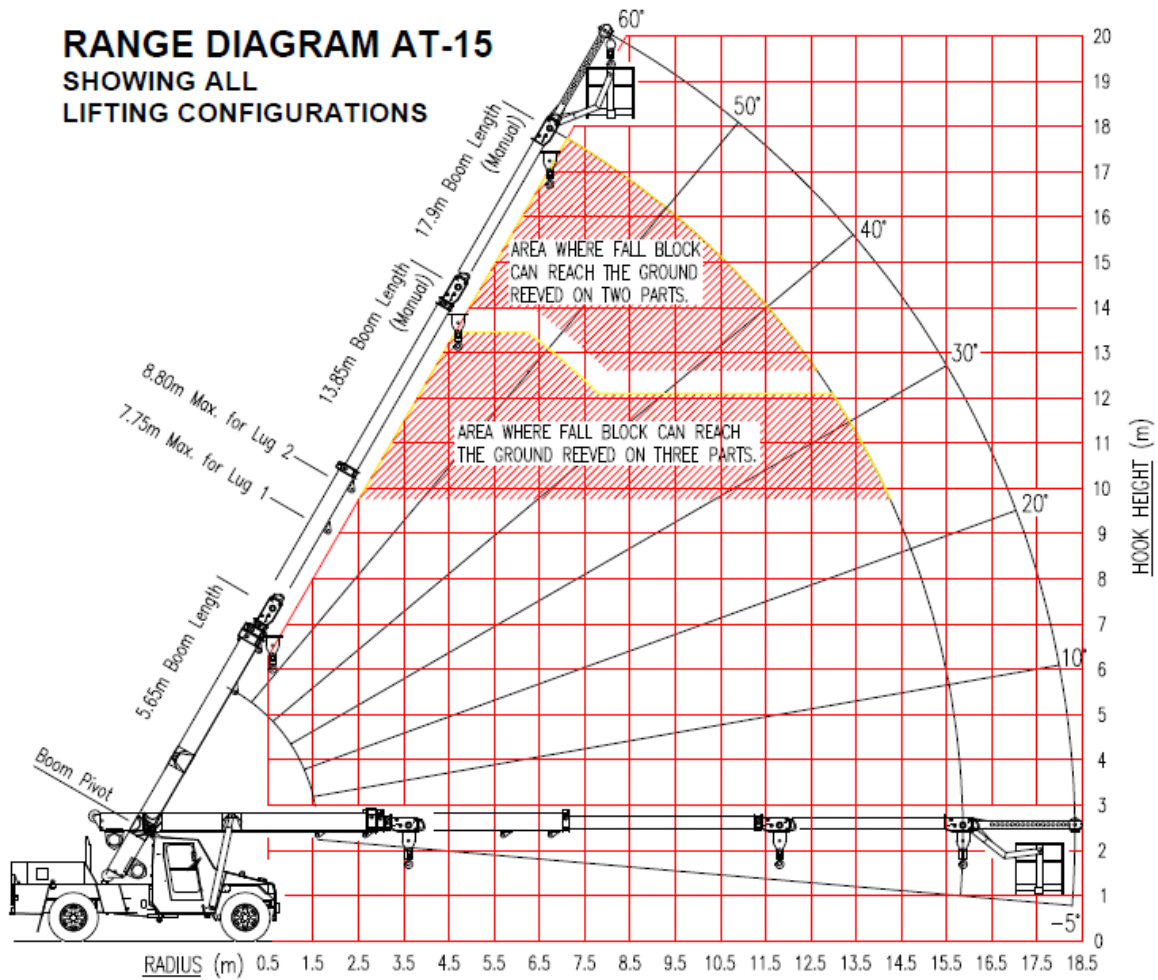


### **MASS LIMITS PERMITTED**

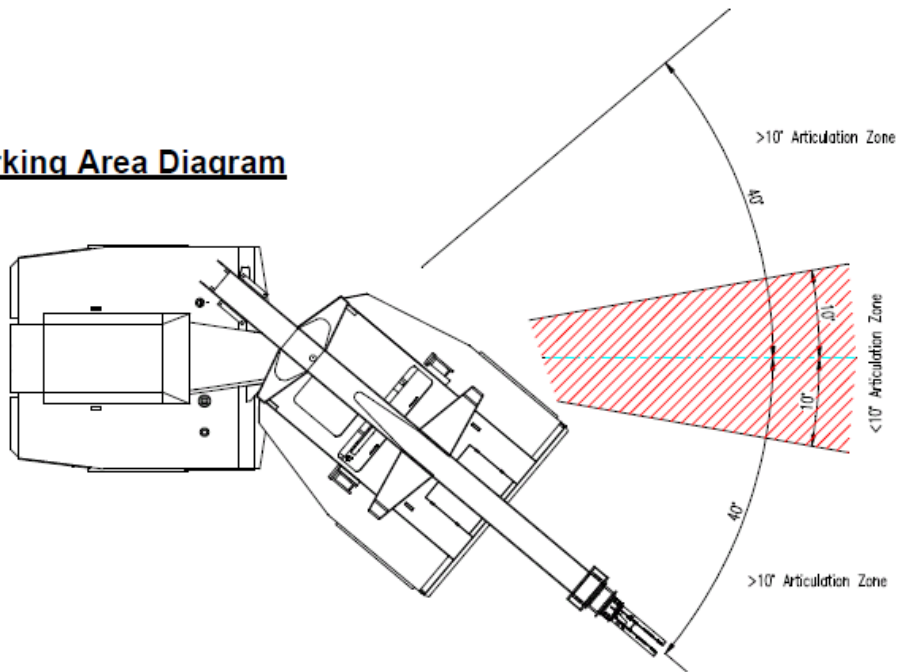
Gross Combination Mass shall not exceed 17.00 tonnes

Unit Position	Axle Position	Spacing To Forward Axle	Overall Tyre Contact Width	Tyres per Axle	Axle Group Position	Maximum Axle Group Mass
1	1	0.00 m	2.38 m	4	1	6.70 t
	2	3.88 m	2.41 m	4	2	10.30 t

## RANGE DIAGRAM AT-15 SHOWING ALL LIFTING CONFIGURATIONS



## Working Area Diagram





## 15T Franna - Hydraulic All Terrain Pick & Carry Crane - Lifting on Winch

RADIUS	BOOM LENGTH (m)																	
	5.66	6.00	6.50	7.00	7.50	8.00	8.50	9.00	9.50	10.00	10.50	11.00	11.50	12.00	12.50	13.00	13.50	13.86
1.6	10500	10500	10500	10500	10500													
	48	50	54	57	59													
2.0	10500	10500	10500	10500	10500	10500	10500											
	42	46	50	53	56	58	60											
2.5	10400	10350	10350	10350	10350	10350	10350	9950	9650									
	34	39	44	48	51	54	56	58	60									
3.0	8500	8500	8500	8500	8500	8500	8500	8500	8500	8300	7350							
	25	31	37	42	46	49	52	55	57	58	60							
3.5	7200	7200	7200	7200	7200	7200	7150	7150	7150	7150	6750	5950	5650					
	9	20	30	36	41	45	48	51	53	55	57	59	60					
4.0	6950	6250	6200	6200	6200	6200	6200	6200	6150	6150	5500	5250	5000	4800				
	3(3.61)	3(3.95)	20	28	35	39	43	46	49	52	54	56	57	59	60			
4.5			5450	5400	5400	5400	5400	5400	5400	5400	5400	5150	4900	4650	4500	4300	4150	
			4(4.45)	19	28	34	38	42	45	48	50	52	54	56	57	59	60	
5.0				4850	4800	4800	4800	4800	4800	4800	4800	4800	4550	4350	4200	4050	3900	3800
				4(4.95)	18	27	33	37	41	44	47	49	51	53	55	56	58	59
6.0					4300	3900	3850	3850	3850	3850	3850	3850	3850	3850	3700	3550	3300	3200
					5(5.45)	17	25	31	35	39	42	45	47	49	51	52	54	54
7.0						3550	3200	3200	3200	3200	3200	3200	3200	3200	3050	2950	2850	
						6(6.45)	16	24	29	34	37	40	43	45	47	48		
8.0							2950	2700	2700	2700	2700	2700	2700	2700	2700	2650	2600	
							7(7.45)	16	23	28	32	36	38	41	43			
9.0								2500	2300	2300	2300	2300	2300	2300	2300	2300	2300	
								8(8.45)	15	22	27	31	34	36				
10.0									2200	2000	2000	2000	2000	2000	2000	2000	2000	
									9(9.45)	14	21	26	29					
11.0										1900	1750	1750	1750	1750	1750	1750	1750	
										10(10.45)	14	21	26	29				
11.81																	1650	1550
																	11(11.45)	1350

C1325-3-3

SWL (KG) LESS THAN 10 DEG ARTICULATION  
 SWL (KG) GREATER THAN 10 DEG ARTICULATION  
 BOOM ANGLE OR (RADIUS AT 0 DEG BOOM ANGLE)

Weight of slings & hook block to be added to load  
 Read and understand warning notes before operating crane  
 Loads above bold red line are structural

LMI Duty  
 Lifting on WINCH  
**01**